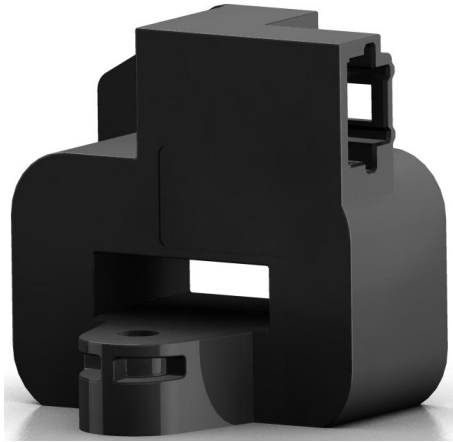




WCSH27

I_p=200-1200A



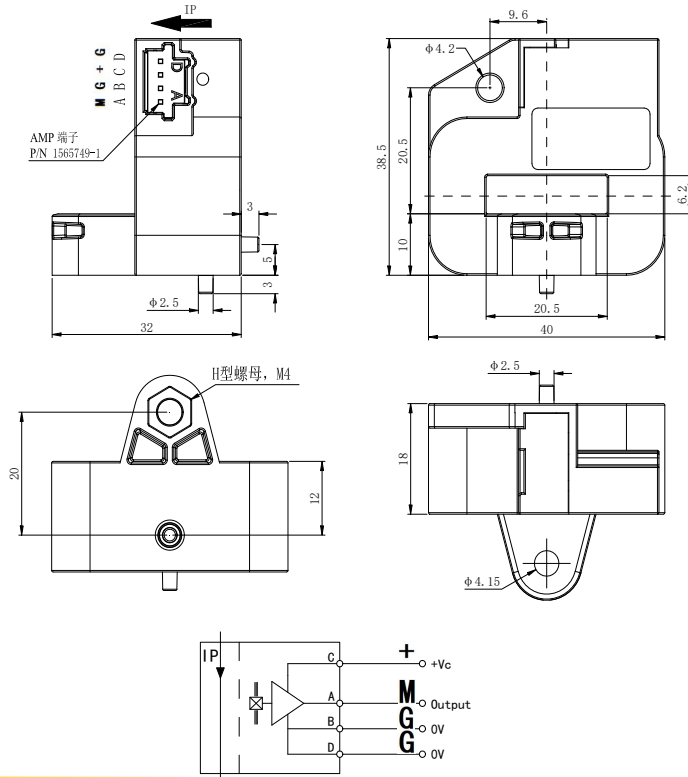
产品特点 Products Features

- 安装方便
Easy mounting
- 体积小, 节省空间
Small size and space saving
- 无插入损耗
No insertion losses
- 抗干扰能力强
High immunity to external interference

应用领域 Applications

- 交流变频驱动器
AC variable speed drives
- 直流电机驱动静态转换器
Static converters for DC motor drives
- 通讯电源
Battery supplied applications
- 不间断电源 (UPS)
Uninterruptible Power Supplies
- 开关电源 (SMPS)
SWITCHED Mode Power Supplies
- 电动汽车
EV Auto

机械尺寸 Mechanical dimension



机械特性

Mechanical characteristics

一般公差
General tolerance
± 0.5 mm

其它公差执行
Other tolerance execution
GB/T 1804-2000-M

固定孔尺寸
Fixing hole size
φ 4.15mm

紧固螺丝
Fastening steel screw
M4

建议紧固扭矩
Recommended fastening torque
1.6Nm (± 10 %)

连接器
Connection of secondary
TYCO品牌
1123343-1
1473672_1

注意 Remarks

- 错误的接线可能导致传感器损坏。
The false wiring may result in the damage of the sensor.
- I_p方向与产品箭头方向一致时, 输出电压为正极。
V_{OUT} is positive when I_p flows in the direction of the arrow.
- 当初级导体完全充满初级孔径时动态表现 (di/dt和响应时间) 为最佳效果。
Dynamic performances (di/dt and response time) are best with a single bar completely filling the primary hole.
- 初级导体的温度不应超过100°C。
Temperature of the primary conductor should not exceed 100° C.

电气参数Electrical data WCSH27

除非另有说明, 否则环境参数均为@ $T_A = 25^{\circ}\text{C}$, $R_L = 10\text{ k}\Omega$

型号 Type	WCSH27				
额定测量电流 I_P Rated input	$\pm 200\text{A}$	$\pm 300\text{A}$	$\pm 500\text{A}$	$\pm 800\text{A}$	$\pm 1200\text{A}$
测量范围 I_{PM} Measure range	$\pm 220\text{A}$	$\pm 330\text{A}$	$\pm 550\text{A}$	$\pm 880\text{A}$	$\pm 1200\text{A}$
额定输出电压 V_{OUT} Rated output voltage	$(2.5 \pm 2) * (V_{CC}/5)\text{ V}$				
零点失调电压 V_0 Offset voltage	$2.5 * (V_{CC}/5)\text{ V} \pm 10\text{mV}$				
电源电压 V_C Supply voltage	+5VDC ($\pm 5\%$)				
负载电阻 R_M Load resistance	$\geq 10\text{K}\Omega$				
线性度 ϵ_L Linearity	$\leq 0.5\%FS$				
总体精度 X Overall accuracy	$\pm 1\%FS$				
零点失调电压温漂 V_{OUT} Offset voltage drift	$\pm 0.3\text{mV}/^{\circ}\text{C}$				
幅度电压温度漂移 V_{OUT} Amplitude voltage temperature drift	$\leq 0.05\%/^{\circ}\text{C}$				
静态电流消耗 I_C Current consumption	$\leq 20\text{mA}$				
响应时间 T_R Response time	$< 7\mu\text{s}$				
频带宽度 BW Frequency bandwidth-3db	DC~50kHz				
di/dt 跟随精度 di/dt accurately followed	$> 50\text{A}/\mu\text{s}$				
绝缘耐压 V_D Galvanic isolation	50Hz, 1min, 3KV				
工作环境温度 T_A Ambient operating temperature	$-40 \sim +125^{\circ}\text{C}$				
储存环境温度 T_s Ambient storage temperature	$-55 \sim +125^{\circ}\text{C}$				
质量 m Mass	$\approx 55\text{g} \pm 10\%$				
执行标准 Standards	JB/T 7490-2007				

定制Customized

这是一个标准的产品, 需要其他规格 (测量电流、电源电压、输出电压、连接器、转换比率等) 请联系我们。
This is a standard model. For different versions (I_P , supply voltages, output voltages, connection of secondary, turns ratios...), please contact us.

联系方式Contact information

李伟军 18576721398 www.gchsensord.com victor801@vicorv.com