



WCS18A系列

$I_p = 300 \dots 2000A$



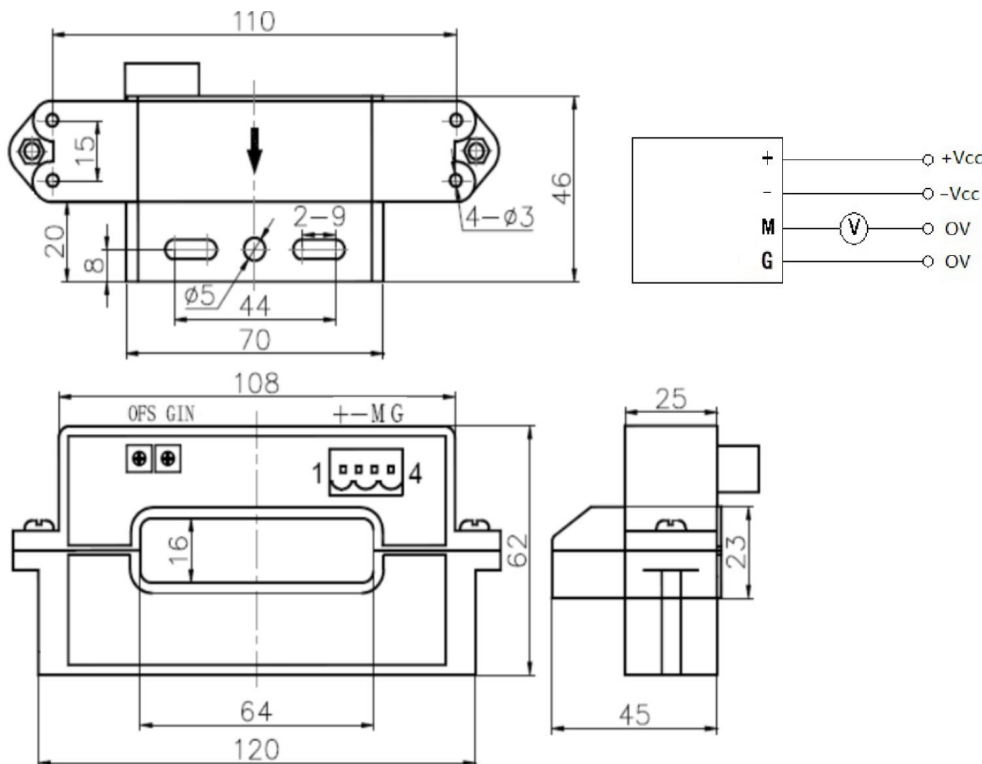
产品特点 Products Features

安装方便
Easy mounting
体积小, 节省空间
Small size and space saving
无插入损耗
No insertion losses
抗干扰能力强
High immunity to external interference

应用领域 Applications

交流变速驱动器
AC variable speed drives
直流电机驱动静态转换器
Static converters for DC motor drives
通讯电源
Battery supplied applications
不间断电源 (UPS)
Uninterruptible Power Supplies
开关电源 (SMPS)
SWITCHED Mode Power Supplies
电焊机
Power supplies for welding applications

机械尺寸 Mechanical dimension



机械特性

Mechanical characteristics

一般公差
General tolerance
 $\pm 0.5 \text{ mm}$

其它公差执行
Other tolerance execution
GB/T 1804-2000-M

固定孔尺寸
Fixing hole size
 $\Phi 4 \text{ mm}$

紧固螺丝
Fastening steel screw
M4

建议紧固扭矩
Recommended fastening torque
1.0Nm ($\pm 10 \%$)

连接器
Connection of secondary
KF2EDGCV-X5.08-4P

注意 Remarks

错误的接线可能导致传感器损坏。

The false wiring may result in the damage of the sensor.

I_p 方向与产品箭头方向一致时, 输出电压为正极。

V_{OUT} is positive when I_p flows in the direction of the arrow.

当初级导体完全充满初级孔径时动态表现 (di/dt 和响应时间) 为最佳效果。

Dynamic performances (di/dt and response time) are best with a single bar completely filling the primary hole.

初级导体的温度不应超过 130°C 。

Temperature of the primary conductor should not exceed 130°C .

电气参数Electrical data WCS18A-xxxA

除非另有说明，否则环境参数均为@ $T_A = 25^{\circ}\text{C}$, $R_L = 10\text{ k}\Omega$

型号 Type	WCS18A-400A	WCS18A-600A	
额定测量电流 I_{PN} Rated input	$\pm 400\text{A}$	$\pm 600\text{A}$	
测量范围 I_{PM} Measure range	$\pm 800\text{A}$	$\pm 1200\text{A}$	
额定输出电压 V_{OUT} Rated output voltage		$\pm 4\text{V}$	
零点失调电压 V_0 Offset voltage		$\pm 20\text{mV}$	
电源电压 V_C Supply voltage		$\pm 12\text{V DC} (\pm 5\%)$	
负载电阻 R_M Load resistance		$\geq 10\text{K}\Omega$	
线性度 ϵ_L Linearity		$\leq 0.5\%FS$	
总体精度 X Overall accuracy		$\pm 1\%FS$	
零点失调电压温漂 V_{OUT} Offset voltage drift		$\pm 0.5\text{mV}/^{\circ}\text{C}$	
幅度电压温度漂移 V_{OUT} Amplitude voltage temperature drift		$\leq 0.05\%/^{\circ}\text{C}$	
静态电流消耗 I_C Current consumption		$\leq 40\text{mA}$	
响应时间 T_R Response time		$< 10\mu\text{s}$	
频带宽度 BW Frequency bandwidth-3db		DC-20KHz	
di/dt跟随精度 di/dt accurately followed		$> 50\text{A}/\mu\text{s}$	
绝缘耐压 V_D Galvanic isolation		50Hz, 1min, 5KV	
工作环境温度 T_A Ambient operating temperature		$-40\sim+85^{\circ}\text{C}$	
储存环境温度 T_s Ambient storage temperature		$-40\sim+95^{\circ}\text{C}$	
质量 m Mass		$\approx 370\text{g}$	
执行标准 Standards		JB/T 7490-2007	

定制Customized

这是一个标准的产品，需要其他规格（测量电流、电源电压、输出电压、连接器、转换比率等）请联系我们。
This is a standard model. For different versions (IP, supply voltages, output voltages, connection of secondary, turns ratios...), please contact us.

联系方式Contact information

李伟军 18576721398 www.gchsensor.com victor801@vicorv.com