

Current transducer WCL 82A series

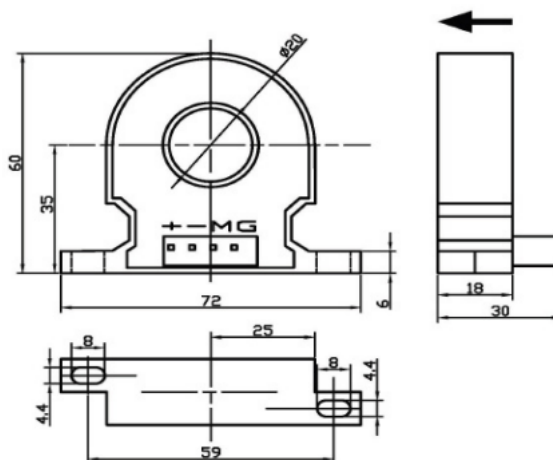
WCL82A series are new-type leakage current transducer applying magnetic modulation. Output steady voltage signal. Highly galvanic isolation between the primary circuit and the secondary circuit. Measurement of the small current such in the signal system, detecting circuit, detecting leakage current, and difference of the current.



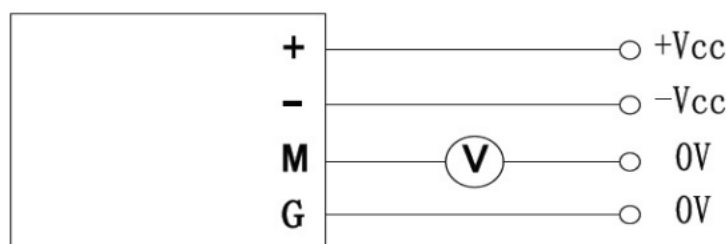
Performance parameter

Electric parameters			Features <ul style="list-style-type: none"> ● Magnetic modulation ● According to UL 94-V0 ● RoHS and CE certificated Superiorities <ul style="list-style-type: none"> ● Excellent accuracy, very good linearity ● Low thermal drift ● High stability ● High immunity to external interference ● Good overload capability Applications <ul style="list-style-type: none"> ● Signal system ● Detecting circuit ● Detecting leakage current ● Measure the difference of the current ● Industrial power supply, power station ● DC screen ● DC transmission
I_{pn}	Nominal RMS current	10mA~500mA	
I_p	Measuring range	$2 * I_{pn}$	
V_{sn}	Output voltage DC	5V	
R_m	Load resistance $R_{max}(\pm 15V)$	$\geq 10k\Omega$	
V_c	Supply voltage	$\pm 12V \sim \pm 15V$	
V_d	Withstand voltage	3kVrms/50Hz/min	
Dynamic parameters			
X	Accuracy @ $T_a=25^\circ C$	$\pm 1\%$ FS	
ϵ_L	Linearity @ $T_a=25^\circ C$	$\pm 0.5\%$ FS	
V_o	Offset voltage @ $T_a=25^\circ C$	$\pm 50mV$	
V_{or}	Thermal drift	$\leq 1mV/^\circ C$	
T_r	Response time	$\leq 250ms$	
General parameters			
T_a	Operating temperature	$-15 \sim +80^\circ C$	
T_s	Storage temperature	$-25 \sim +85^\circ C$	
W	Weight	92g	
Standards		EN50178:1998, ISO9001	

Dimension



Connection



Notices

- Please connect according to the dimension drawing in which defining the current flowing direction and the function of the PIN.
- The temperature of the primary busbar can't be over $100^\circ C$
- We can also develop and manufacture transducers depending on customers' requirements. Welcome to communicate with us when you are in this kind of demand.