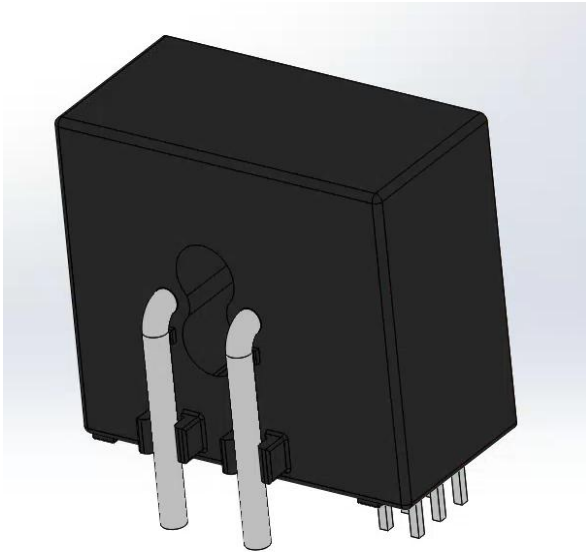




# WCL-B4-6mA&30mA

$I_p=6\text{mA}(\text{DC})\&30\text{mA}(\text{AC})$



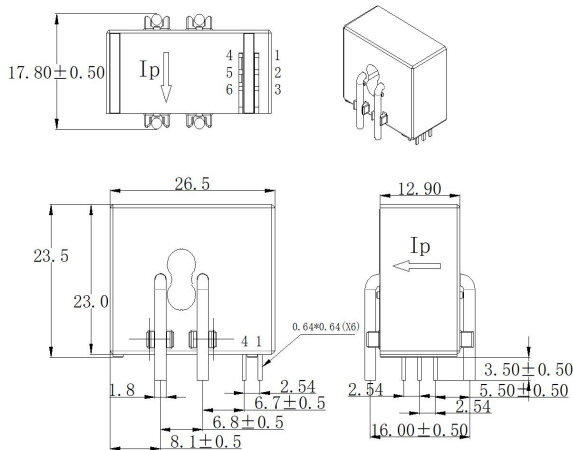
## 产品特点 Products Features

- 安装方便  
Easy mounting
- 体积小，节省空间  
Small size and space saving
- 无插入损耗  
No insertion losses
- 抗干扰能力强  
High immunity to external interference

## 应用领域 Applications

- 直流电机驱动静态转换器  
Static converters for DC motor drives
- 通讯电源  
Battery supplied applications
- 不间断电源 (UPS)  
Uninterruptible Power Supplies
- 开关电源 (SMPS)  
SWITCHED Mode Power Supplies
- 电焊机  
Power supplies for welding applications

## 机械尺寸 Mechanical dimension



	DCI	DCP
A-C	5	6

## 机械特性 Mechanical characteristics

一般公差  
General tolerance  
± 0.5 mm

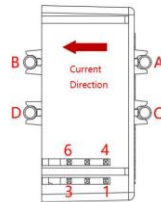
其它公差执行  
Other tolerance execution  
GB/T 1804-2000-M

建议焊接温度  
Recommended wave soldering temperature

265°C ± 5°C

### Pin Definition

No.	Symbol	Description
1	VCC	Power supply
2	GND	Power GND
3	VO	High and low level output
4	CHK	Product Self-Check input
5	TC	NC-Float
6	TR	NC-Float
A-D	IP	Primary Current



Assembly Pin

## 注意 Remarks

错误的接线可能导致传感器损坏。

The false wiring may result in the damage of the sensor.

$I_p$ 方向与产品箭头方向一致时，输出电压为正极。

$V_{out}$  is positive when  $I_p$  flows in the direction of the arrow.

当初级导体完全充满初级孔径时动态表现 ( $di/dt$ 和响应时间) 为最佳效果。

Dynamic performances ( $di/dt$  and response time) are best with a single bar completely filling the primary hole.

初级导体的温度不应超过100°C。

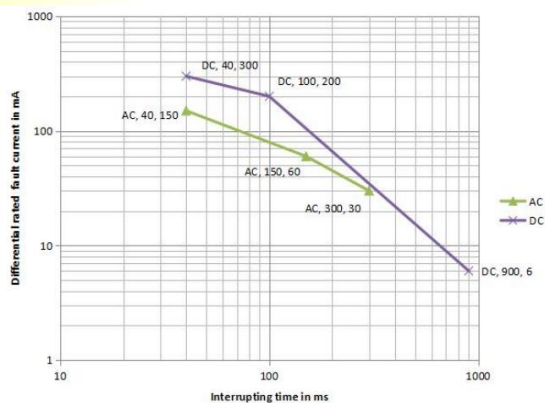
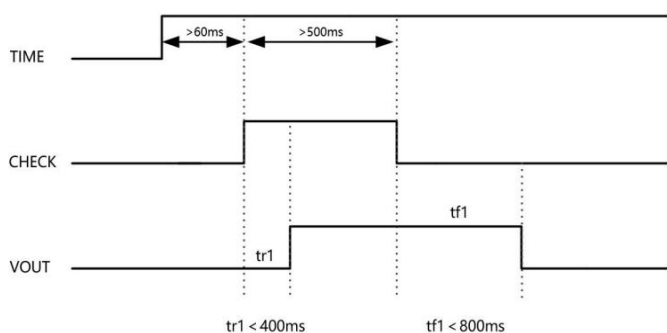
Temperature of the primary conductor should not exceed 100° C.

## 电气参数Electrical data WCL-B4-6mA

除非另有说明，否则环境参数均为@  $T_A = 25^\circ\text{C}$ ，

型号 Type	WCL-B4-6mA&30mA
额定测量电流 $I_P$ Rated input	$\pm 6\text{mA (DC) \& 30mA (AC)}$
测量范围 $I_{PM}$ Measure range	$\pm 500\text{mA}$
自检输出电压 $V_{(ck)}$ Output voltage (Check function)	$V_{CC}$
自检电流 $I_{ck}$ Self-Check current	30mA
动态输出电压 $V_{(CE)}$ Check enable voltage	$0.7V_{CC} \sim V_{CC}$
静态输出电压 $V_{(CD)}$ Check disabled voltage	$\leq 0.2\text{V}$
静态电流消耗 $I_c$ Current consumption	$\leq 30\text{mA} (@+5\text{V}, I_p=0)$
电源电压 $V_c$ Supply voltage	$+4.9 \sim 5.3\text{VDC} (\pm 5\%)$
频带宽度 $BW$ Frequency bandwidth-3db	DC or 50Hz
上电时间 $T_{on}$ Power on initialization time	60ms
工作环境温度 $T_A$ Ambient operating temperature	$-40 \sim +85^\circ\text{C}$
储存环境温度 $T_s$ Ambient storage temperature	$-40 \sim +105^\circ\text{C}$
绝缘耐压 $V_D$ Galvanic isolation	50Hz, 1min, 3KV
质量 $m$ Mass	$\approx 15\text{g}$
执行标准 Standards	JB/T 7490-2007

## 自检时序图Self-check Timing Diagram



## 定制Customized

这是一个标准的产品，需要其他规格（测量电流、电源电压、输出电压、连接器、转换比率等）请联系我们。  
This is a standard model. For different versions ( $I_P$ , supply voltages, output voltages, connection of secondary, turns ratios...), please contact us

## 联系方式Contact information

李伟军 18576721398 www.gchsensor.com victor801@vicorv.com