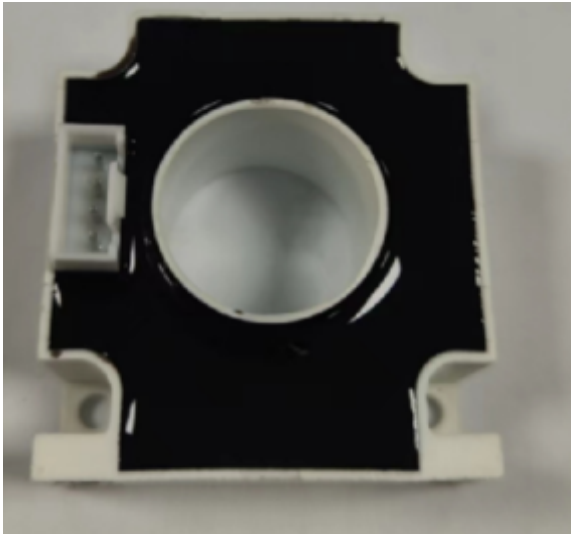




# WCG63H-200A

## I<sub>p</sub>=200A



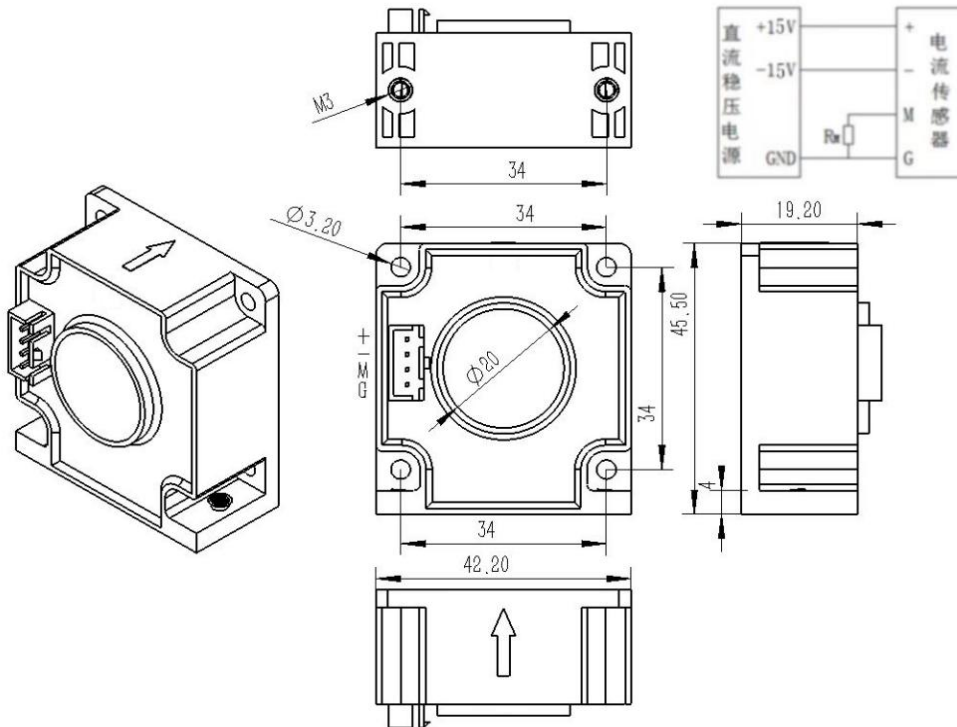
### 产品特点 Products Features

- 安装方便  
Easy mounting
- 体积小，节省空间  
Small size and space saving
- 低温漂  
Low temperature drift
- 高精度  
Excellent accuracy

### 应用领域 Applications

- 计量检定与校准  
Metrological verification and calibration
- 实验室电流测量  
Laboratory current measurement
- 仪器仪表（如功率分析仪）  
Instrumentation (e.g. power analyzer)
- 医疗设备（如核磁共振MRI）  
Medical equipment (e.g. MRI)
- 电池组检测  
Battery pack detection
- 电力控制  
Power control

### 机械尺寸 Mechanical dimension



### 机械特性

#### Mechanical characteristics

一般公差  
General tolerance  
 $\pm 0.5$  mm

其它公差执行  
Other tolerance execution  
GB/T 1804-2000-M

固定孔尺寸  
Fixing hole size  
 $\Phi 3$  mm $\times$ 4

紧固螺丝  
fastening steel screw  
M3

建议紧固扭矩  
Recommended fastening torque  
1.5Nm ( $\pm 10$  %)

连接器  
Connection of secondary  
HX25405-4A

### 注意 Remarks

- 错误的接线可能导致传感器损坏。  
The false wiring may result in the damage of the sensor.
- I<sub>p</sub>方向与产品箭头方向一致时，输出电压为正极。  
V<sub>OUT</sub> is positive when I<sub>P</sub> flows in the direction of the arrow.
- 当初级导体完全充满初级孔径时动态表现（di/dt和响应时间）为最佳效果。  
Dynamic performances (di/dt and response time) are best with a single bar completely filling the primary hole.
- 初级导体的温度不应超过100°C。  
Temperature of the primary conductor should not exceed 100° C.

### 电气参数 Electrical data WCG63H-200A

除非另有说明，否则环境参数均为@ T<sub>A</sub> = 25°C，

型号 Type	WCG63H-200A
额定测量电流 I <sub>P</sub> Rated input	±200A
测量范围 I <sub>PM</sub> Measure range	±240A
额定输出电压 I <sub>OUT</sub> Rated output current	±200mA
转换比率 K <sub>N</sub> Conversion ratio	1:1000
测量电阻 R <sub>M</sub> (@±15V, @I <sub>PM</sub> ) Measure resister	20Ω
总体精度 X @I <sub>P</sub> Overall accuraty	±0.05%
静态电流消耗 I <sub>C</sub> Current consumption	≤25mA (@±15V, I <sub>p</sub> =0)
电源电压 V <sub>C</sub> Supply voltage	±12VDC~±15VDC (±5%)
零点失调电流温漂 I <sub>OT</sub> Offset current drift	≤0.030mA
零点失调电流 I <sub>O</sub> Offset current	±0.020mA
频带宽度 BW Frequency bandwidth-3db	DC-100 KHz
线性度 ε <sub>L</sub> Linearity	≤0.02%FS
di/dt 跟随精度 di/dt accurately followed	>100A/us
响应时间 T <sub>R</sub> Response time	<1us
质量 m Mass	≈40g
绝缘耐压 V <sub>D</sub> Galvanic isolation	50Hz, 1min, 3KV
工作环境温度 T <sub>A</sub> Ambient operating temperature	-40~+85°C
储存环境温度 T <sub>S</sub> Ambient storage temperature	-55~+95°C
执行标准 Standards	JB/T 7490-2007

### 定制 Customized

这是一个标准的产品，需要其他规格（测量电流、电源电压、输出电压、连接器、转换比率等）请联系我们。  
This is a standard model. For different versions (I<sub>P</sub>, supply voltages, output voltages, connection of secondary, turns ratios...), please contact us.