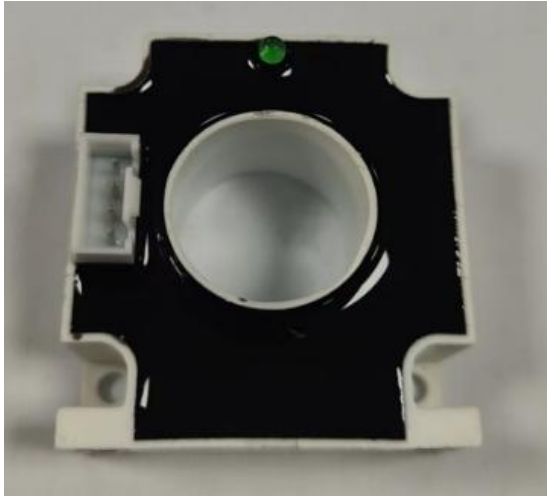




WCB63E-100A

I_p=100A



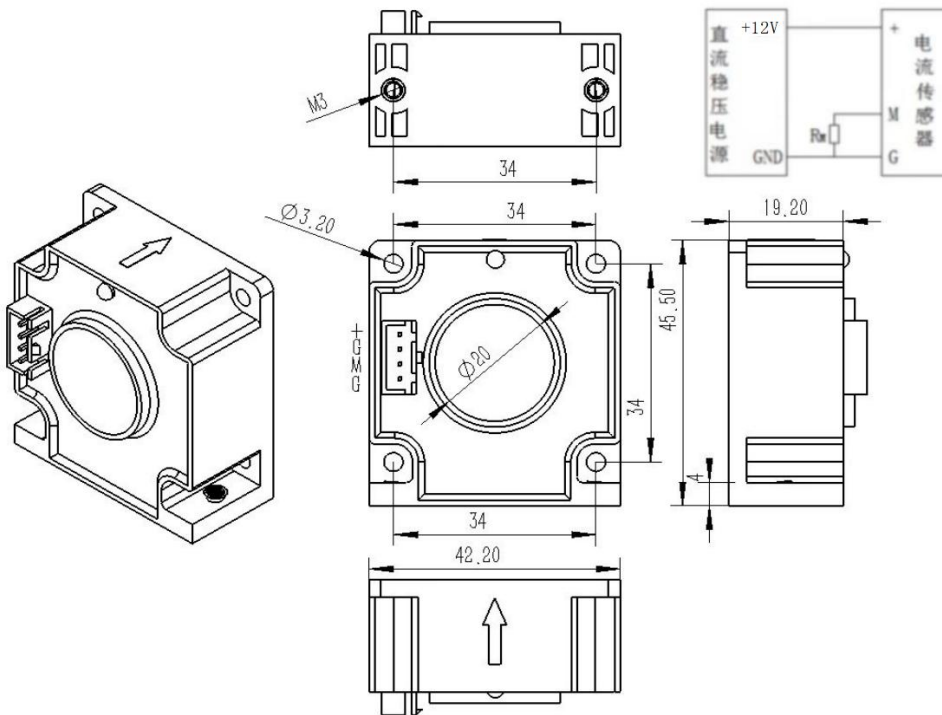
产品特点 Products Features

- 安装方便
Easy mounting
- 体积小, 节省空间
Small size and space saving
- 低温漂
Low temperature drift
- 高精度
Excellent accuracy

应用领域 Applications

- 计量检定与校准
Metrological verification and calibration
- 实验室电流测量
Laboratory current measurement
- 仪器仪表 (如功率分析仪)
Instrumentation (e.g. power analyzer)
- 医疗设备 (如核磁共振MRI)
Medical equipment (e.g. MRI)
- 电池组检测
Battery pack detection
- 电力控制
Power control

机械尺寸 Mechanical dimension



机械特性

Mechanical characteristics

一般公差
General tolerance
 ± 0.5 mm

其它公差执行
Other tolerance execution
GB/T 1804-2000-M

固定孔尺寸
Fixing hole size
 $\Phi 3$ mm \times 4

紧固螺丝
fastening steel screw
M3

建议紧固扭矩
Recommended fastening torque
1.5Nm (± 10 %)

连接器
Connection of secondary
HX25405-4A

注意 Remarks

- 错误的接线可能导致传感器损坏。
The false wiring may result in the damage of the sensor.
- I_p方向与产品箭头方向一致时, 输出电压为正极。
V_{OUT} is positive when I_P flows in the direction of the arrow.
- 当初级导体完全充满初级孔径时动态表现 (di/dt和响应时间) 为最佳效果。
Dynamic performances (di/dt and response time) are best with a single bar completely filling the primary hole.
- 初级导体的温度不应超过100°C。
Temperature of the primary conductor should not exceed 100° C.

电气参数 Electrical data WCB63E-100A

除非另有说明, 否则环境参数均为@ T_A = 25°C,

型号 Type	WCB63E-100A
额定测量电流 I _P Rated input	100A
测量范围 I _{PM} Measure range	110A
额定输出电压 I _{OUT} Rated output current	0-5V
转换比率 K _N Conversion ratio	1:1000
测量电阻 R _M (@±15V, @I _{PM}) Measure resister	20Ω
总体精度 X @I _P Overall accuraty	±0.5%
静态电流消耗 I _C Current consumption	≤25mA (@+12V, I _P =0)
电源电压 V _C Supply voltage	+12VDC (± 5%)
零点失调电压温漂 I _{OT} offset voltage temperature drift I _{OT}	≤25mV
零点失调电流 I _O Zero offset current I _O	≤12mV
频带宽度 BW Frequency bandwidth-3db	DC
线性度 ε _L Linearity	≤0.3%FS
di/dt 跟随精度 di/dt accurately followed	>20A/us
响应时间 T _R Response time	<1us
质量 m Mass	≈40g
绝缘耐压 V _D Galvanic isolation	50Hz, 1min, 3KV
工作环境温度 T _A Ambient operating temperature	-40~+85°C
储存环境温度 T _S Ambient storage temperature	-40~+95°C
执行标准 Standards	JB/T 7490-2007

定制 Customized

这是一个标准的产品，需要其他规格（测量电流、电源电压、输出电压、连接器、转换比率等）请联系我们。
This is a standard model. For different versions (I_P, supply voltages, output voltages, connection of secondary, turns ratios...), please contact us.

联系方式 Contact information

李伟军 18576721398 victor801@vicorv.com www.vicorv.com